

Fluid Warming

Patent WO 2010/030746 - Canada Patent 2692640

Warm fluids at the point of use - where you need them, when you need them. The convenient, easy-to-use ivNOW fluid warmers quickly heat and maintain safe temperatures of intravenous and irrigation fluids while saving space and staff time. Improve processes and recovery time by efficiently warming patients from admission to discharge, reducing surgical site infections.

Safety: The digital display shows the actual temperature of every bag throughout the warming process. The fluid warmer records how long each bag has been warmed in order to comply with healthcare regulations and to reduce waste. When the IV bag has been warmed longer than 15 days (user adjustable from 7-60 days), the ivNOW will flash DATE on the LED display to inform clinicians the limit has been reached and the bag should be discarded.

Easy-to-use: Place the IV bag in the pod to activate the unit. Fluid is automatically warmed up to 104° F (40 °C) in 30 minutes or less.

Convenient: Keep in patient or procedure rooms with this versatile model.

Service: Our worldwide support team is dedicated to providing quality equipment. We walk with you every step of the way to maximize your return on investment.

Made in the USA with a commitment to quality

Warranty: 1-year parts/1-year labor (US/Canada only). Additional warranty available upon request

An ISO 13485:2016 certified company

Standard Features

- Anodized aluminum heat plate
- Lightweight, medical grade plastic housing
- Accommodates 0.5L, 1L, 2L & 3L bags
- Field customizable pod configuration
- Intelligent bag sensors
- Dual temperature sensors



- 3 **ivNOW-1:** 1 bag
0.5 - 3 liters
- 6 **ivNOW-2:** 2 bags,
1 - 6 liters
- 9 **ivNOW-3:** 3 bags,
1.5 - 9 liters



Temperature Range
35°-40°C (95°-104°F)
Accurate temperature
+0/-2°C (-3°F)



Configurations (select one)

Models

- ivNOW-1 ivNOW-2 ivNOW-3

Electrical

- 120V 1PH 230V 1PH

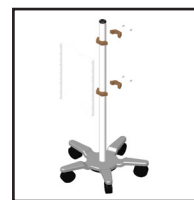
Accessories (select all that apply)

Bracket Kits

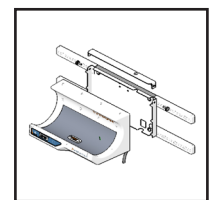
- Horizontal kit for seismic wall mount (5012242)
- Vertical kit for seismic wall mount (5025322)
- Bracket kit to mount ivNOW-1 to a stand (5025321)
- Bracket kit to mount ivNOW-2 and ivNOW-3 to a stand (5025323)

Heavy-Duty Roll Stand (GCX)

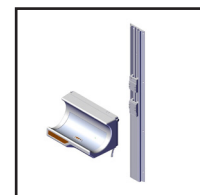
- Mobile stand (5025582)



GCX equipment stand and mounting (5025582)



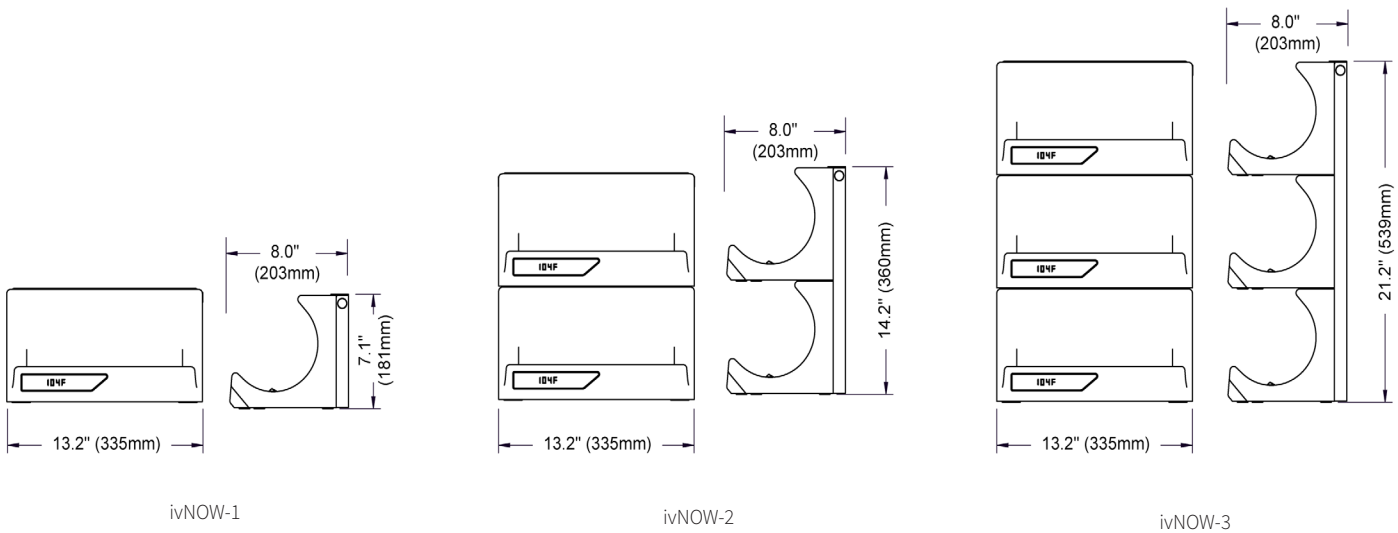
Horizontal kit for seismic wall mount (5012242)



Vertical kit for seismic wall mount (5025322)

ivNOW Fluid Warming

Specification



Model	Exterior (H x W x D)	Net Weight
ivNOW-1	7.1"(180mm) x 13.2"(335mm) x 8"(203mm)	8 lbs (3.6 kg)
ivNOW-2	14.2"(360mm) x 13.2"(335mm) x 8" (203mm)	14 lbs (6.4 kg)
ivNOW-3	21.2"(540mm) x 13.2"(335mm) x 8" (203mm)	20 lbs (9 kg)

	Ship Dimensions (L x W x H)*	Ship Weight*
ivNOW-1	19" x 12" x 12"	11 lbs
ivNOW-2	19" x 12" x 17"	16 lbs
ivNOW-3	19" x 12" x 25"	23 lbs

*Domestic ground shipping information. Contact factory for export weight and dimensions.



	V	Ph	Hz	W	Plug Configuration
ivNOW-1	120	1	60	100	NEMA 5-15P; 15A 125V Plug; Hospital Grade
	230	1	50/60	100	BS 1363 Plug; CEE 7/7 220-230V Plug
ivNOW-2	120	1	60	200	NEMA 5-15P; 15A 125V Plug; Hospital Grade
	230	1	50/60	200	BS 1363 Plug; CEE 7/7 220-230V Plug
ivNOW-3	120	1	60	300	NEMA 5-15P; 15A 125V Plug; Hospital Grade
	230	1	50/60	300	BS 1363 Plug; CEE 7/7 220-230V Plug



*Other international plugs are available, contact the manufacturer for more information.

**Electrical connections must meet all applicable federal, state and local codes.

CONTACT US

W164 N9221 Water Street | Menomonee Falls, Wisconsin 53051 | U.S.A.
 Phone: 262.251.8356 | 800.862.9276 | Fax: 262.251.7067 | enthermics.com